

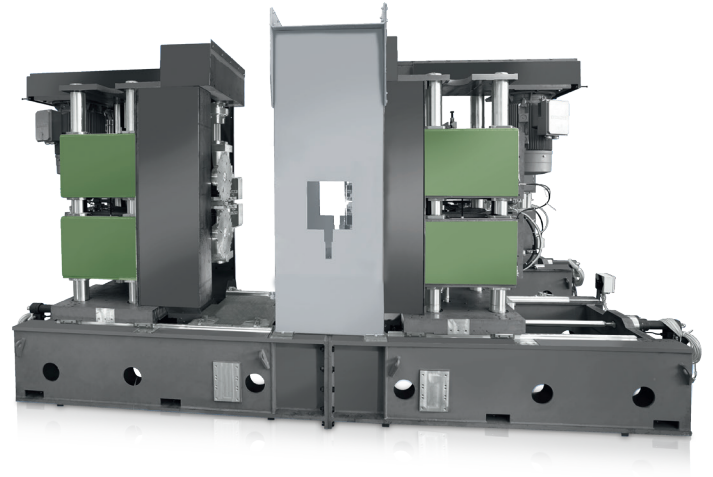


## Technical data

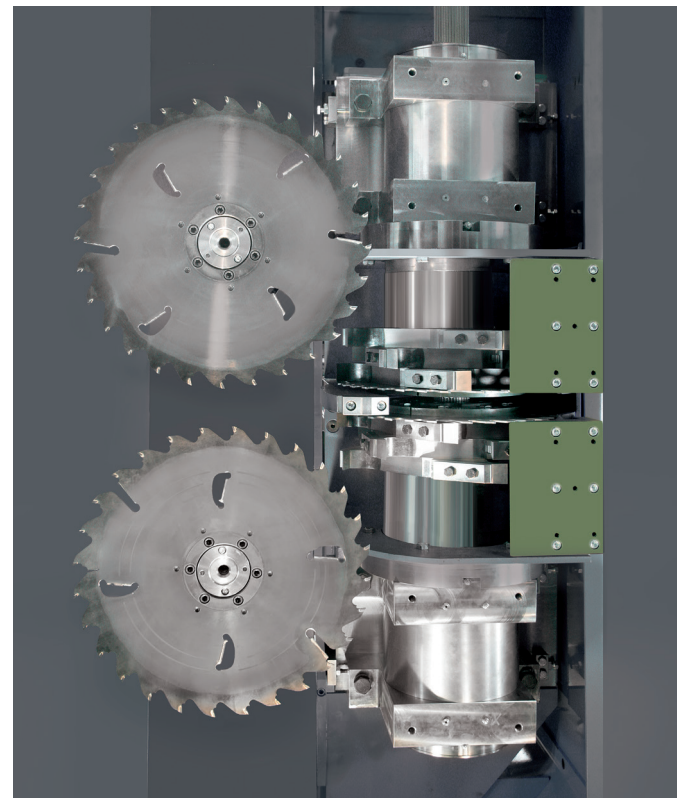
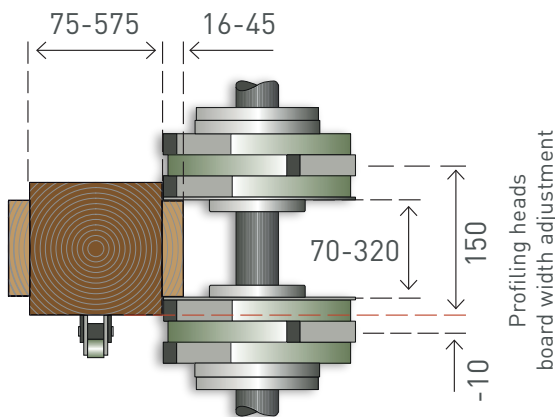
### PROFILING UNIT FR 15 S

#### TECHNICAL DATA

Log/cant length min.	m	2.4
Drive power saw motors	kW	4x50-65
Drive power profiling heads	kW	2x75-132
Weight with drive motors	t	26
Machine opening tool change	mm	950
Feed speed max.	m/min	200



#### Tools - setting distances FR 15 S



As a result of constant improvement and further development of our designs, the information and illustrations in this brochure are not binding.