

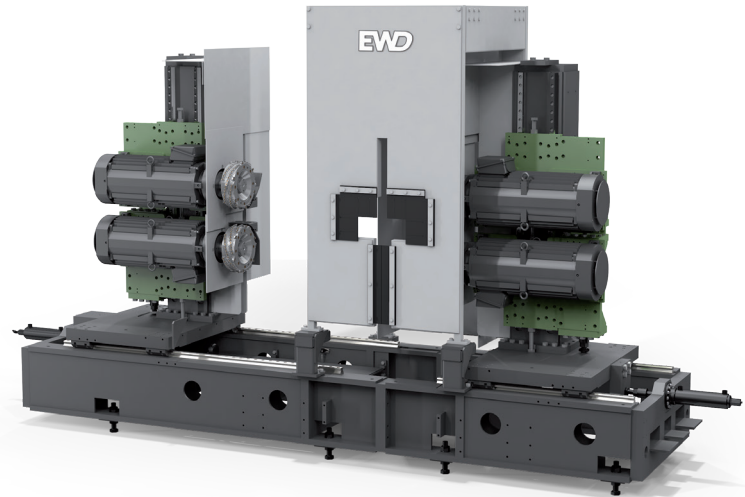


Technical data

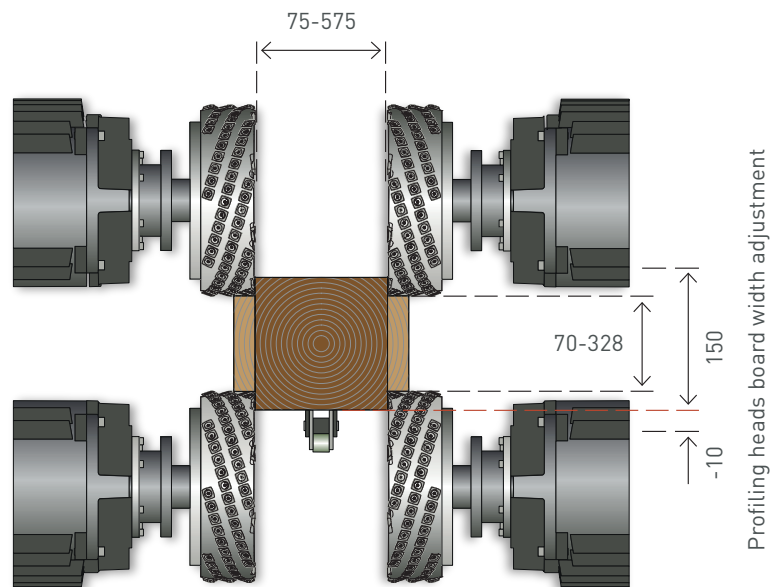
PROFILING UNIT FR 15 H

TECHNICAL DATA FR 15 H

Log/cant length min.	m	2.4
Drive power profiling heads	kW	4x50-65
Weight with drive motors	t	13
Machine opening tool change	mm	950
Feed speed max.	m/min	150



Tools - setting distances FR 15 H



As a result of constant improvement and further development of our designs, the information and illustrations in this brochure are not binding.