

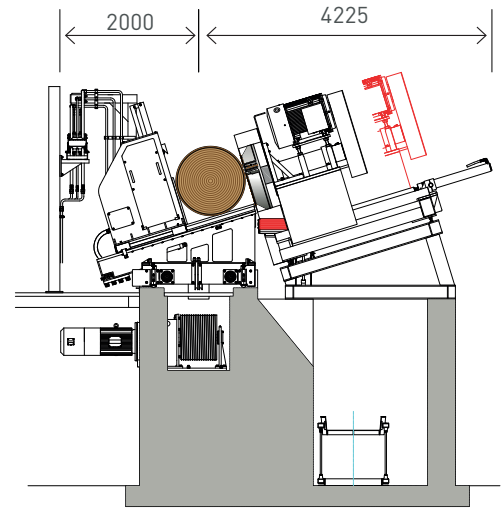


Technical data

LOG BANDSAW TECHNOLOGY EBB, EW 2, PF 19

TECHNICAL DATA EW 2

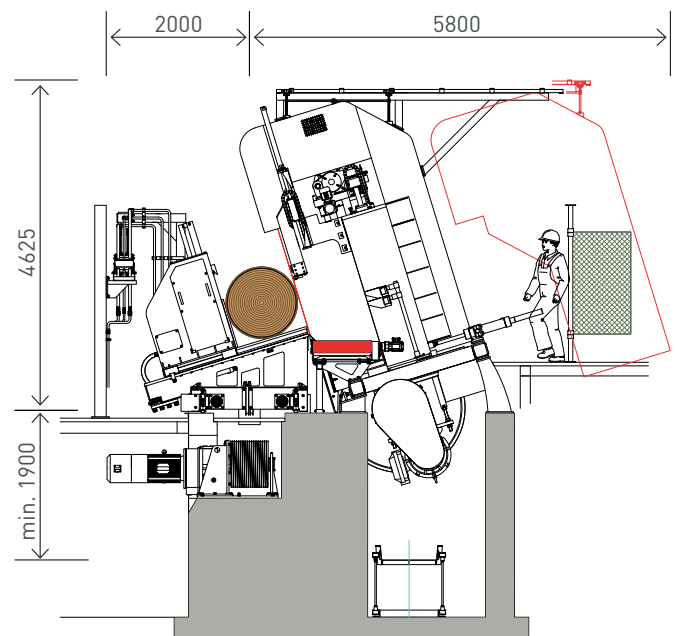
Log diameter max.	mm	1000 (1300)
Dog opening vertical	mm	935 (1055)
Track width	mm	1300
Carriage speed max.	m/min	200
Carriage acceleration	m/s	1.2–3
Carriage drive power (system) weight	kW	45–132
(4 headblocks, 3 log turners)	t	11.5
Dog projection	mm	0–200



EW 2 17°

TECHNICAL DATA PF 19

Slabber head diameter	mm	1240
No. of main knives	pcs.	3, 4, 6
Chipping depth max.	mm	190
Chipping height above log support max.	mm	670
Set distance including park position	mm	0 - 850
Feed speed	m/min	20–150
Drive motor size	kW	75–132
Machine weight with drive motor (132kW)	t	5



EBB 17°

TECHNICAL DATA EBB

Wheel diameter	mm	1600, 1800
Wheel face width	mm	200 / 230
Drive motor size	kW	90–132
Saw strain max.	N/mm	200
Saw blade speed	m/s	30–70
Saw blade thickness	mm	1.65–1.83

As a result of constant improvement and further development of our designs, the information and illustrations in this brochure are not binding.