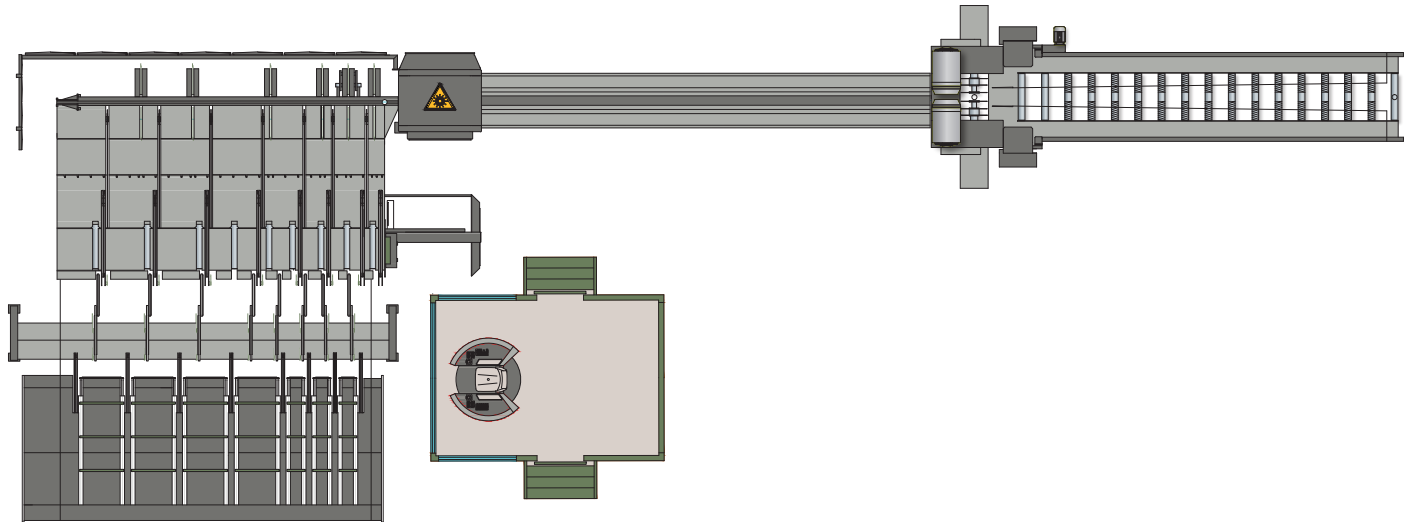




## Technical data

# HIGH PERFORMANCE EDGER OPTIMIZER TECHNOLOGY OPTIMES



## TECHNICAL DATA

Optimes		BNK	BKO	BKO	BKO
Capacity in edging mode at board length 4.1 m and board width 200mm	piece/min	30	30	38	42
Board length	m	1.2-6.0	1.2-6.0	2.0-6.0	2.0-6.0
Board width unedged	mm	70-750	70-750	90-650	90-500
Board thickness	mm	17-225	17-120	17-60 (100)	17-60
Feed speed max.	mm	20-240	20-240	50-320	80-360
Partially automated		operation on the machine			
Automated				operation from a cabin	

As a result of constant improvement and further development of our designs, the information and illustrations in this brochure are not binding.